



ISO9001、ISO14001 Certification Enterprises

Main Feature

1. Small size (20x10x15.2in mm) produces a switching capacity up to 10A for high density P.C.Board mounting technique.
2. The contact form construction is 1A/1B/1C.
3. The Surge Resistance of BJK series is 10,000V
4. Sealing Construction (Free from dust and solder flux): BJK-SS: Plastic Sealed Type.
5. The selection of plastic insulation material is designed for high temperature and provides better chemical solution performance.
6. RoHS Compliant.

Application

Air Conditioning, Fridge, Washing Machine, etc Household Appliances

Contact Rating

- Nominal Load(Resistive Load Cos $\phi = 1$)
Contact Capacity
BJK-D/L.....5A/3A at 250VAC
BJK-DM/LM..... 5A at 250VAC
- Max. Allowable Current
BJK-D/L.....5A
BJK-DM/LM.....5A
- Max. Allowable Voltage
BJK-D/DM/L/LM.....AC250V
- Max. Allowable Power Force
BJK-D/DM/L/LM.....1250VA
- Contact Material..... Ag Alloy
- Contact Form.....SPST&SPDT

Performance (at Initial Value)

- Contact Resistance..... $\leq 50m\Omega$ at 6VDC/1A
- Operate Time.....8ms. Max
- Release Time..... 5ms. Max
- Dielectric Strength:
Between Coil & Contact.....4,000VAC at 50/60 Hz
for one minute
Between Contacts.....1,000VAC at 50/60 Hz
for one minute
- Surge Resistance.....10,000V (between Coil
& Contact 1.2x50 μs)
- Insulation Resistance.....1,000 Mega Ω Min. at
500VDC

- Max. On/Off Switching:
Electrical.....30 Ops per minute
Mechanical.....300 Ops per minute
- Temperature Range..... - 40~85 $^{\circ}C$
- Humidity Range..... 5%~85% RH
- Coil Temperature Rise..... 35 $^{\circ}C$ Maximum
- Vibration:
Endurance.....10 to 55 Hz dual
amplitude width 1.5mm
Error Operation.....10 to 55 Hz dual
amplitude width 1.5mm
- Shock:
Endurance..... 981m/s² Min
Error Operation..... 98.1m/s² Min
- Life Expectancy:
Electrical.....10⁵ Operations at
Rated Resistive
load
Mechanical.....10⁷ Operations at
No load condition
- Weight.....about 7g

Safety Standard & Its File Number

- UL.....E356168
- CQC.....CQC11002063401

Coil Specification (at 20 °C)

Coil Sensitivity	Nominal Voltage (VDC)	Nominal Current (mA)	Coil Resistance ($\Omega \pm 8\%$)	Power Consumption (W)	Pull-In Voltage (VDC)	Drop-Out Voltage (VDC)	Maximum Allowable Voltage (VDC)
BJH-L BJH-LM	3	66.7	45	Abt. 0.2	75% Maximum	10% Minimum	130%
	5	40	125				
	6	33.3	180				
	9	22.2	405				
	12	16.7	720				
	24	8.3	2880				
BJH-D BJH-DM	3	150	20	Abt. 0.4	75% Maximum	10% Minimum	130%
	5	89.2	56				
	6	75	80				
	9	50	180				
	12	37.5	320				
	24	18.8	1280				

BJH - SS - 1 12 D M

Contact Form: Nil:One form C

Coil Type: D:Standard DC Coil
L:High Sensitivity DC Coil

Coil Voltage: 03:3V, 05:5V, 06:6V, 09:9V
12:12V, 24:24V, 48:48V

Number of Pole: 1:One Pole

Type of Sealing: SS:Plastic Sealed Type

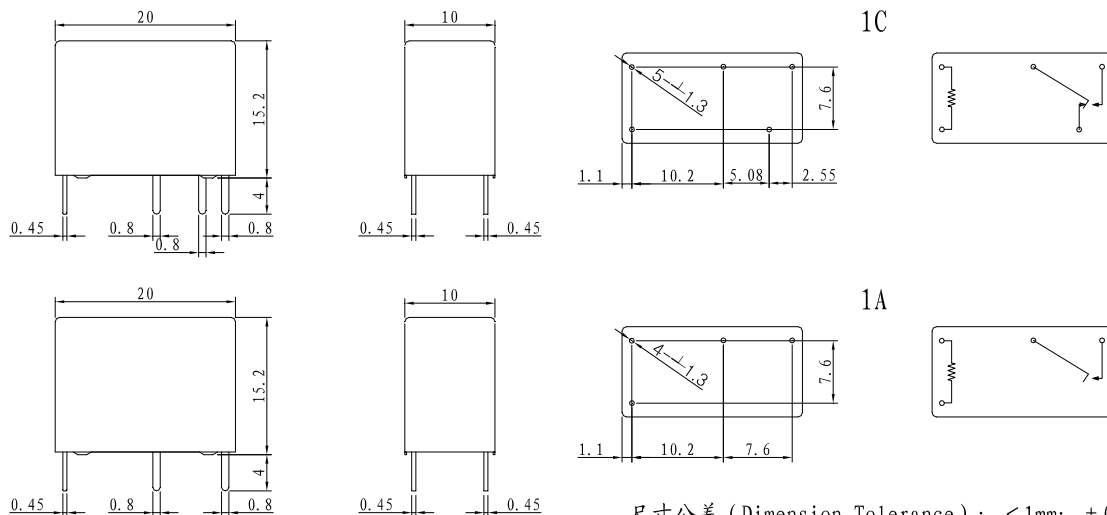
Type: BJH

Ordering Information

Model	BJH					
	Standard DC Coil			High Sensitivity DC Coil		
	1A	1B	1C	1A	1B	1C
Flow Solder Type	BJH-SS-1□□DM	BJ-SS-1□□DB	BJ-SS-1□□D	BJH-SS-1□□LM	BJ-SS-1□□LB	BJ-SS-1□□L

Classification

Dimension



尺寸公差 (Dimension Tolerance) : < 1mm: $\pm 0.2\text{mm}$
1--5mm: $\pm 0.3\text{mm}$
> 5mm: $\pm 0.5\text{mm}$